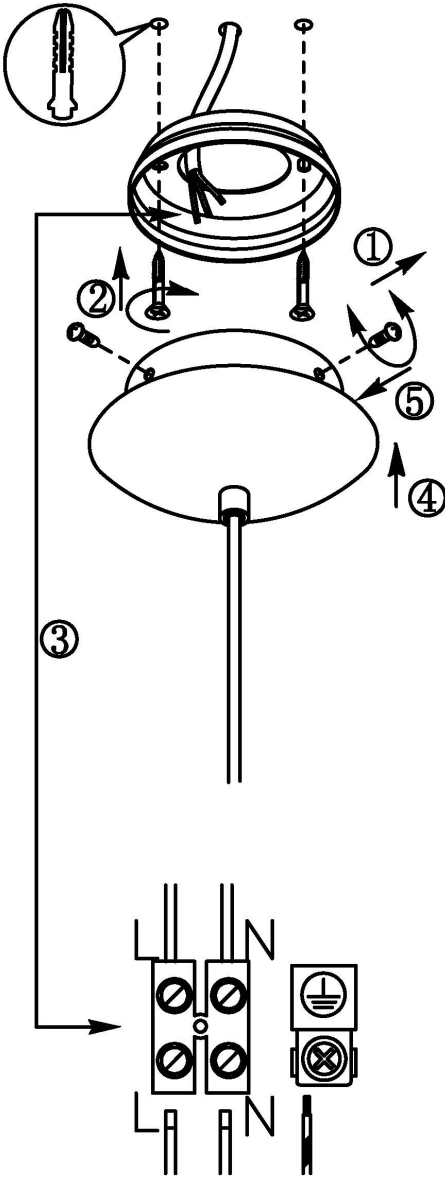
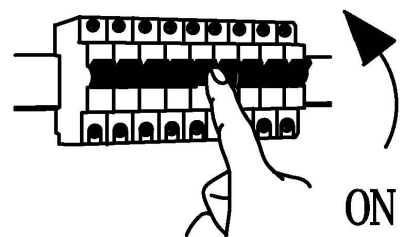


OFF

A



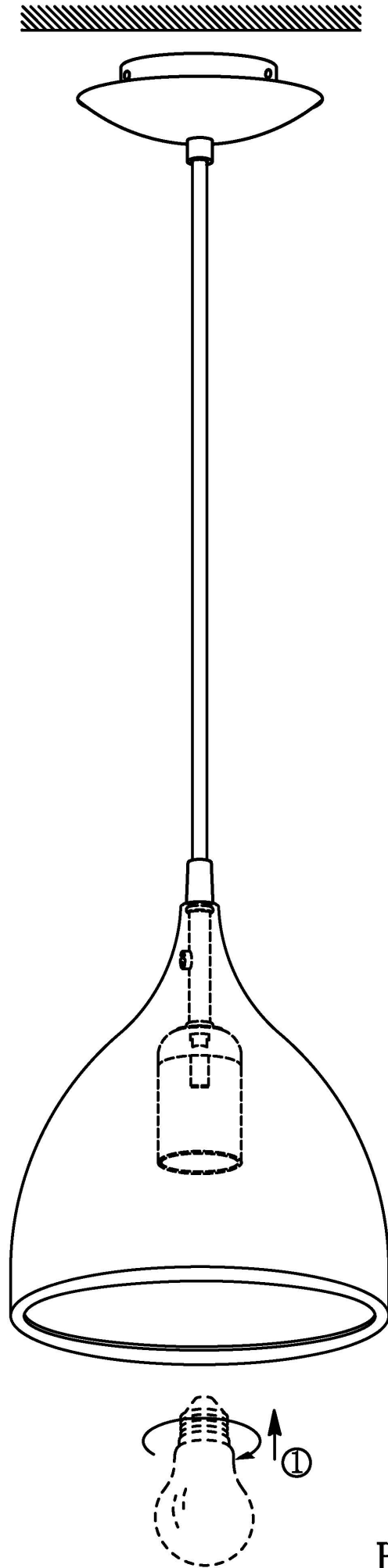
B



ON

D

C



BLA92716